

LED

# Lupus

LED Railing- and gangway light

karl-dose.com/Lupus

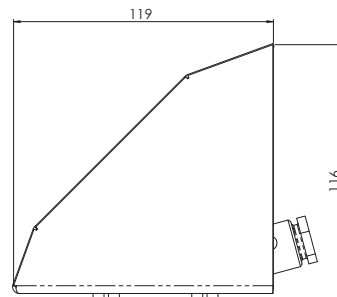
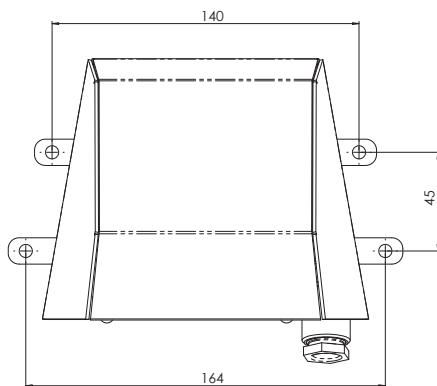
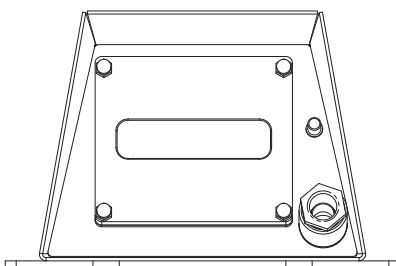


Lupus LED

**NEW**  
Dimmable and  
dazzle-free board illumination

### Technical Data

Name & No.	Watt	kg	Description
Lupus LED	4W	0,50	<ul style="list-style-type: none"> <li>• IP 67</li> <li>• casing made of stainless steel</li> <li>• casing additional powdercoated RAL9016</li> <li>• cable gland: M18x1,5 brass chromed acc. to VG 88773 and VG88812</li> <li>• luminous colour: phase wavelength 110nm</li> <li>• luminous flux: approx. 180 lm</li> <li>• continuous output: up to 50.000 hrs (manufacturer's data)</li> <li>• input voltage: 230V // 50/60 Hz</li> <li>• beam angle: 60°</li> <li>• ambient temperature: -30°C to 40°C</li> <li>• low energy consumption</li> <li>• Dose attaches great importance to the thermal management in lighting, so the LED-modules can operate under the critical temperature level and that they can deliver their full performance throughout their whole durability.</li> </ul>



### Spare Parts on Request

Other voltage and frequency on request.  
dimmmable local or central on request