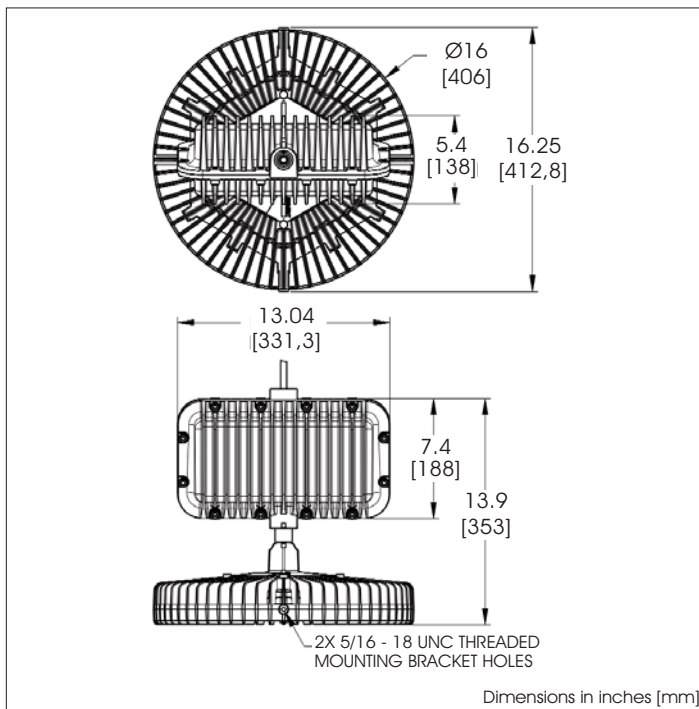




DuroSite® LED High Bay - UL 1598 25,000 Lumen Version



Certifications & Ratings:

- UL 1598/A
- CSA 22 #250
- FCC Title 47
- NEMA 4X (Pending)
- IP 66
- Dark Sky Compliant

Features & Benefits

- L70 rated for >100,000 hours @ 25°C
- 10 year full performance warranty
- 100lm/W
- Instant on/off
- Mercury free
- No UV or IR
- Produces minimal heat compared to traditional fixtures
- Resistant to shock and vibration
- Temperature compensation technology for long life

Application:

Dialight's DuroSite® LED High Bay fixture was designed specifically to replace conventional lighting in a wide variety of industrial applications; both indoor and outdoor. Its low profile light weight design and versatile mounting options make it ideal for many applications such as warehouse, garage, aisle, cold storage, bridge, tunnel and general area lighting.

All of Dialight's long life LED luminaires are designed to meet the most demanding specification criteria while offering maximum energy savings, reduced maintenance costs, and a superior quality of light.

Mechanical Information

| | |
|------------------|----------------------------|
| Fixture Weight: | 30 lbs (13.6 kg) |
| Shipping Weight: | 35 lbs (15.88 kg) |
| Mounting: | (1) 3/4" NPT |
| Cabling: | 10' (3.5m) SOOW Power Cord |

Electrical specifications

| | |
|---------------------------------|--------------------------------|
| Operating Voltage: | 100 – 277V AC |
| Total System Power Consumption: | See table on page 6 |
| Operating Temp: | -40F to +149F (-40°C to +65°C) |
| Harmonics: | IEC 61000-3-2 |
| Transient Protection: | 6kV line to ground |
| Power Factor: | > 0.9 |
| Fusing: | Internal on black wire |

Construction

| | |
|----------|---|
| Housing: | Powder coated aluminum |
| Finish: | Polyester powder coat gray RAL 7040 for superior corrosion resistance |
| Lens: | Tempered glass |

Photometric Information

| | |
|------|---|
| CRI: | 70 |
| CCT: | 5,000K (cool white) 4,000K (neutral white) |

All values typical unless otherwise stated
Lumen values are typical (tolerance +/- 10%)

Ordering Information

| Part Number | CCT | Initial Fixture Lumens | Wattage | Lumens Per Watt | Lens | Optical Pattern |
|--------------|-----|------------------------|---------|-----------------|----------------|-----------------|
| HLGC4KN-10YR | CW | 25,000 | 250 | 100 | Tempered Glass | Circular |
| HLGN4KN-10YR | NW | 25,000 | 250 | 100 | Tempered Glass | Circular |

Options and Accessories

| | Part Number | Description | Kit Includes |
|---|----------------|---|--|
|  | No Part Number | Pendant Mount (Conduit supplied by installer) | Conduit supplied by installer |
|  | HBXCU | Ceiling Mount | Swivel Hanger Cover 3" Conduit Nipple |
|  | HBXCG | Cable Gland | Cable Gland (1/2") Reducer (3/4" to 1/2") |
|  | HBXL | Loop | Hanger Loop (GE LOOPM353) See note 4 on page 5 when ordering with Occupancy Sensor Models |
|  | HBXH | Hook | Hanger Hook (GE HOOKM353) See note 4 on page 5 when ordering with Occupancy Sensor Models |
|  | HBXT2 | Junction Box with Transformer 347-480VAC to 240VAC | NEMA Box with Integrated Transformer |
|  | HBXLENGC | Tempered Glass | Lens, replacement clips, screws, gasket |

Dialight reserves the right to make changes at any time in order to supply the best product possible. The most current version of this document will always be available at: www.dialight.com/Assets/Brochures_And_Catalogs/Illumination/MDEXHB25001.pdf

Warranty Statement: EXCEPT FOR THE WARRANTY EXPRESSLY PROVIDED FOR [HEREIN/ABOVE/BELOW], DIALIGHT DISCLAIMS ANY AND ALL OTHER WARRANTIES, EXPRESS OR IMPLIED, INCLUDING, WITHOUT LIMITATION, ANY WARRANTIES OF MERCHANTABILITY, FITNESS FOR A PARTICULAR PURPOSE, TITLE, AND NON-INFRINGEMENT.