

Versatile Light 130 lm/W

Nortelco MultiLED PT2

Compact, robust and price worthy, manufactured according to ISO 9001:2008



Nortelco MultiLED PT2 advantages

- Perfectly lighting design ensures brightness and uniform illumination, and meets different requirements of road lighting.
- Using Philips integrating encapsulated LED chip.
- Well-designed heat radiation, reaching the best heat radiation effect.
- FIN aluminum alloy housing guarantees its high soundness.
- Long life power driver ensures above 50000 hours.
- Environmental friendly and energy saving, no mercury or lead.
- Consume 50%-70% less power than HID floodlight.

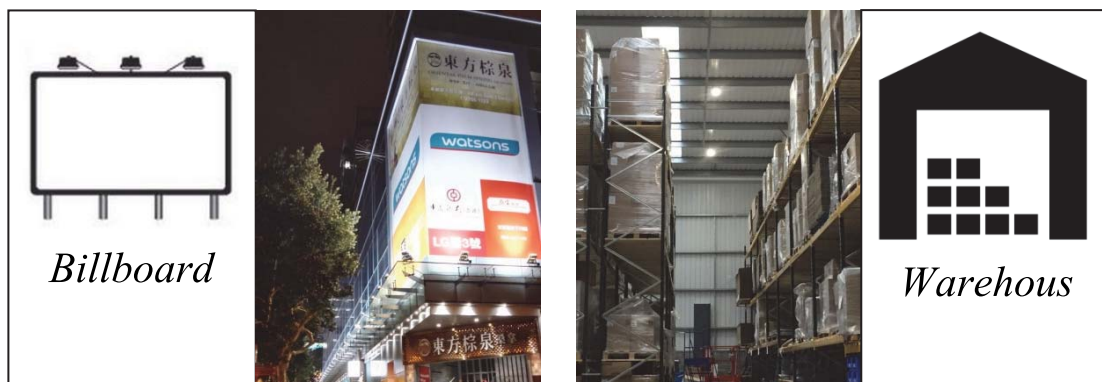
Nortelco MultiLED PT2 specification

Input Voltage	AC90-277 V 50/60 Hz	CCT	2700-6500K
Power Factor	> 0.95	Power Efficiency	> 90%
Loght Source	48 Philips LUMILEDS LED	Beam Angel	30°/ 60°/ 110°
Driver	SOSEN	IP Grade	IP65
Lamp Initial Flux	130 lm/W ± 5%	Working Temperature	-40°C to +60°C
Wattage	30W	CRI	Ra > 80
Working Life	50 000 hours	Net Weight	1 kg ± 5%



Applications

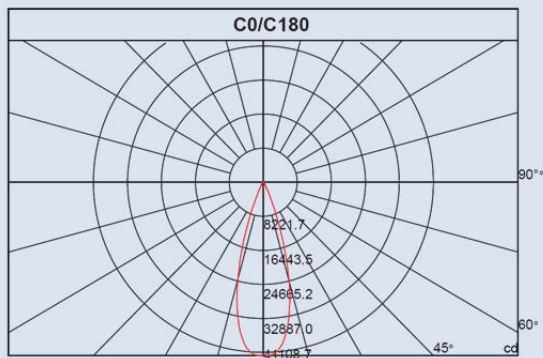
The Nortelco MultiLED PT2-series is suitable for shopping centers, warehouses, manufacturing plants, sports arenas, mining, advertising walls, tall buildings, sculptures etc.



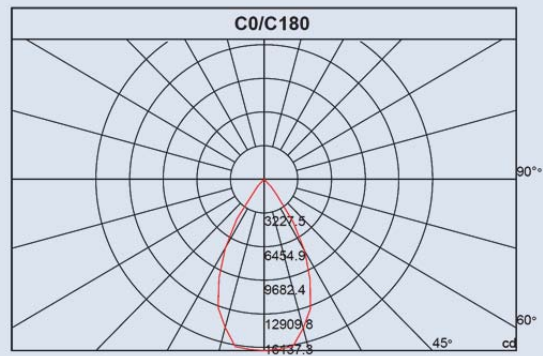
Professional light distribution

Multiple beam angles available to various applications.

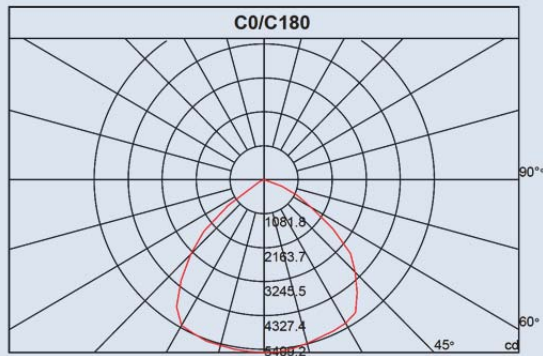
30° light distribution curve



60° light distribution curve



110° light distribution curve



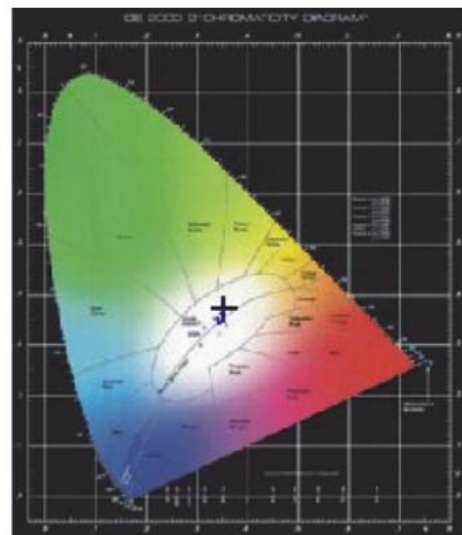
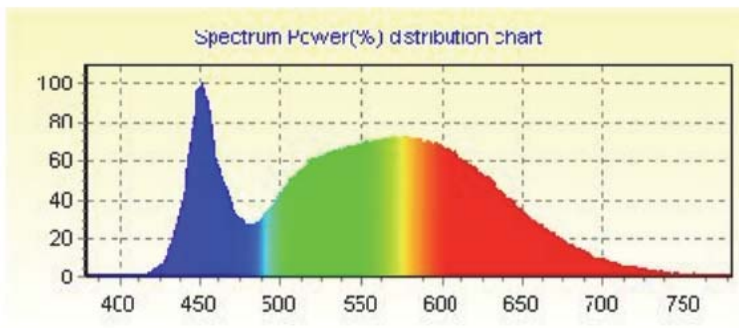
System test report Nortelco MultiLED PT2-30W (5000K)



WW 2700-3200K

NW 4000-4500K

PW 6000-6500K



Spectrum

λ (Peak)	451.4 nm
λ (Main)	568.9 nm
λ (Centroid)	441.6 nm
λ (Center)	442.0 nm
Bandwidth	23.0 nm
Color Temperature	4852K
CIE (x, y)	0.3414, 0.3733
CIE (u, v)	0.2074, 0.3305
Ra	80.8
Purity	0.175
Light Power	15347.3038 mw

Electrical

I (test)	157.000 mA	
Vf	222.300 V	
ϕv	4096.574 lm	
Efficiency	127.861 lm/W	
P	32.2 W	
PFC	0.918	
R1	R2	R3
77.2	85.4	92.8
R4	R5	R6
79.4	77.8	81.0
R7	R8	R9
87.8	64.8	-1.0
R10	R11	R12
66.2	83.1	49.5
R13	R14	R15
78.7	96.0	70.5

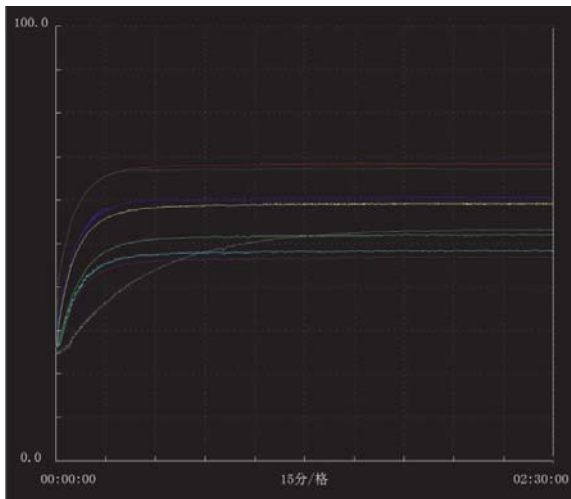
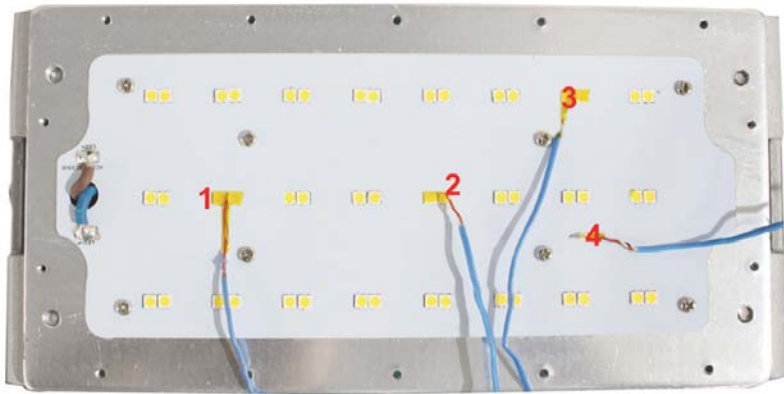
Extensive waterproof test



High-Low Temperature Testing



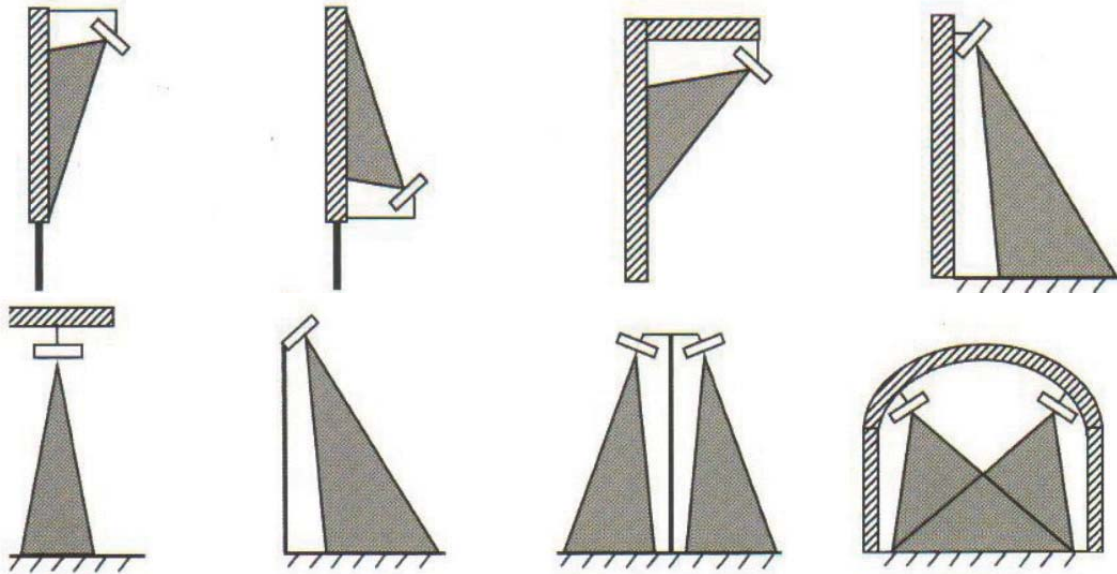
Temperature Test



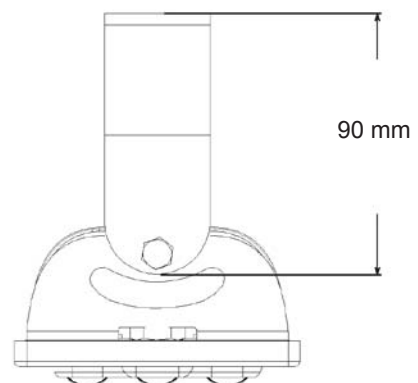
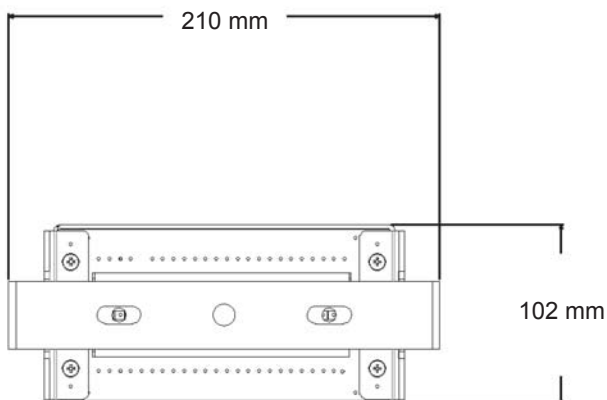
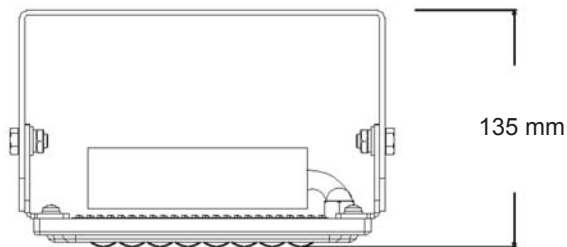
After 2hrs lighting

Time(M) Test Point	00:00:00	00:30:00	01:00:00	01:30:00	02:00:00	02:30:00
CH1 LED	26	67.8	68.2	68.3	68.3	68.3
CH2 LED	26	67.1	67.2	67.3	67.3	67.3
CH3 LED	26	60.1	60.4	60.5	60.5	60.5
CH4 PCB Board	26	58.4	58.9	59.1	59.1	59.1

Installation




Size





Copyright © Nortelco AS

tel 22 57 61 00 - fax 22 57 61 30

 www.nortelco.no

post@nortelco.no

Johan Scharffenbergs vei 95
0694 Oslo
Norway